

Hazardous Materials Transportation

The Threats - Early and accurate detection, characterization and warning of a chemical or biological event are critical to an effective response. To achieve these objectives, an integrated system of sensors is needed. This is particularly the case for a chemical event. In the case of a biological or chemical outbreak in a heavily populated or traveled area, large numbers of people could be infected. However, biological agents have a latency period during which the infected individuals can transmit the disease but also during which antibiotics can prevent its outbreak. Every hour of early warning is critical and specific techniques for detecting and initiating an early response against these threats are required in advance of the onset of symptoms among the infected population. The impact an early warning system can make is literally the difference between life and death.

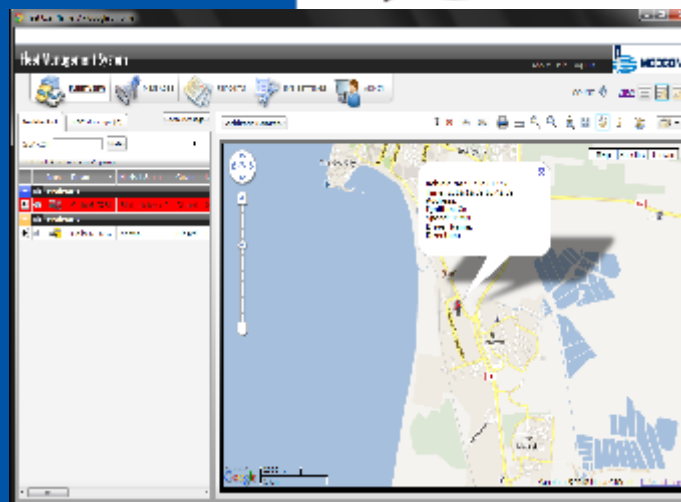
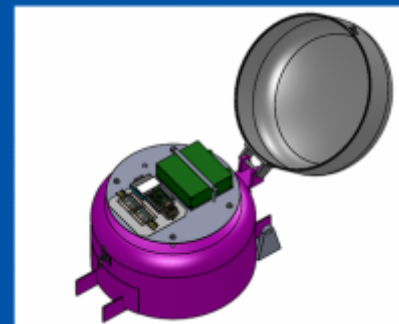
Solution - Remote Monitoring System for Dangerous Goods

- GPS – Global Position System Monitoring.
- Redundant Communication **SATCOM** and **GSM**.
- Early detection of leaks Dangerous Goods.
- Logging and reporting on actual values (in contrary to incremental logging).
- Logging rate interval from 1 sec to 24 hrs.
- Digital output for remote activation of field devices.
- Various communication methods: SMS alerts, Mail reports .



What we do :

- Measuring and Monitoring Gas level under the dome of Container.
- Appropriate Materials and Electronics integrated for Hazardous Area.
- System hidden from view against vandalism.
- Easy plugs connection to charge the batteries which allow long period of transportation.
- Lower manpower requirements.
- Redundant communication of detection and warning reports.
- Satellite communication allow locate the system in any place where GSM system not available.
- More rapid detection, identification and warning.
- The solution provide safe path for the transportation of hazardous materials/dangerous goods to the customers.



Web-based application: no installation required.

Multi-lingual architecture: easy setup; additional languages and dialects address a diversified ethnic audience from a single site.

Real-Time Location and Monitoring: Interactive map engine (AJAX based), map tools, route playback function and address search with enhanced driving direction features.

Accounts hierarchy and privileges system: Every user can only access certified information.

Built-in report generator: Enables service providers to create and selectively distribute customized client reports rich in data and graphs.

Integrated I/O capabilities: Receive data and alerts from application's inputs and trigger outputs.

Text messaging with the driver: Mobile Data Terminals enable customers to save on communication costs.



MODCON



Registered in England and Wales with company number 07794530
 Suite 1674, Lower Ground Floor, 145-157 St John Street, EC1V 4PW
 T/F: +44 (207) 5043626
 www.modcon-systems.com

Azerbaijan 

Heydar Aliyev avenue 74/17 Baku AZ 1033
 Tel: +994-12-4189859
 Fax: +994-12-4929859

Israel 

Bornshtein St. South Akko Ind. Park, Acre 24222
 Tel: +972-4-9553955
 Fax: +972-4-9553956

Romania 

Aleea Emil Botta, Nr. 4, BL. M104
 Sc. 2, Et. 4, Ap. 56 Sector 3, Bucharest RO-031074
 Tel: +40-21-3260533
 Fax: +40-21-3260552



61/2, . 1 111394
 : +7 (495) 9891840
 : +7 (495) 9891840

UK 

Suite 1674, Lower Ground Floor
 145-157 St John Street, EC1V 4PW
 Tel: +44-207-5043626
 Fax: +44-207-5043626

USA 

2000 Broadway Street
 Suite #1203 San Francisco, CA 94115
 Tel: +1-917-5916880
 Fax: +1-360-2375906